



# Model 62A07-1 Hi-Fi Power Supply

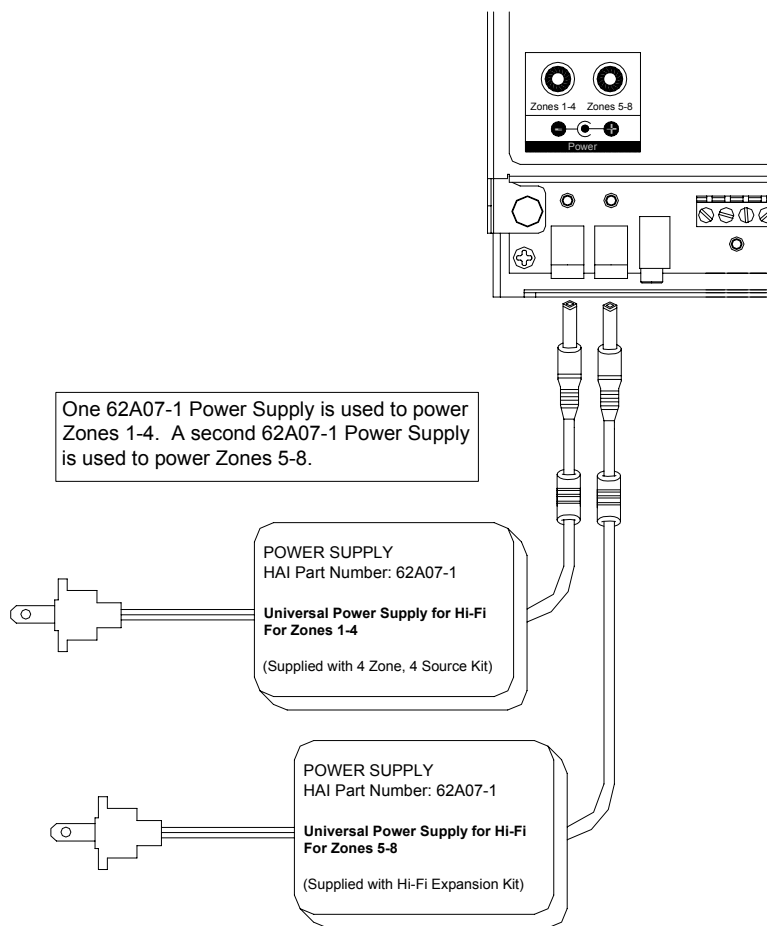
## DESCRIPTION

The Model 62A07-1 Hi-Fi Power Supply is used to power the Hi-Fi processor and 4 Zone Amplifier Cards. One Power Supply is needed to power Zones 1-4 and a second Power Supply is needed to power Zones 5-8.

## INSTALLATION

- 1) Insert the connector for the Power Supply into the Power jack marked “PJ1” (jack to the left) under the section labeled “Power Zones 1-4” on the Hi-Fi Main Assembly.
- 2) Plug the power cord from the Power Supply into a 120 VAC outlet. The “POWER ON” LED will illuminate. The Hi-Fi system will start. Follow the instructions in the User’s Guide for operation.

If applicable, insert the connector for the Power Supply into the Power jack marked “PJ2” (jack to the right) under the section labeled “Power Zones 5-8” on the Hi-Fi Main Assembly. Plug the power cord from the Power Supply into a 120 VAC outlet. The “POWER ON” LED will illuminate.



## SPECIFICATIONS

Power Supply Input (each): 100-240VAC, 50/60Hz, 120W  
Power Supply Output (each): 30VDC, 3 Amps